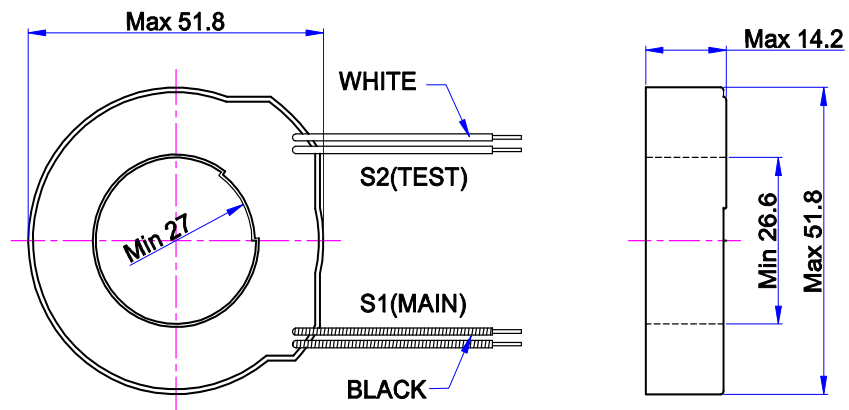


SPECIFICATION

	Zero Phase Current Transformer
	Model No ; SH203-4W
	Type ; Standard Type

DIMENSION

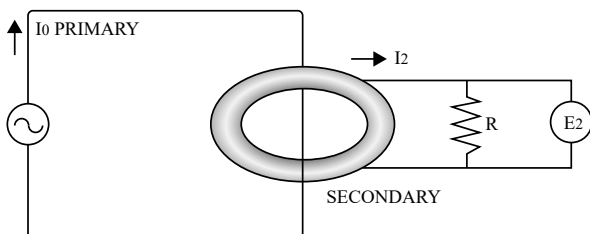


CHARACTERISTICS

ITEM	PROPERTY	CONDITION
OUTPUT	$E_2 : 17 \sim 21 \text{mV}$	$I_0 : 25 \text{mA}$ $R : 1 \text{k}\Omega$ $f : 60 \text{Hz}$
REMANENCE MAGNETISM	$\tau : 10\% \text{ max.}$	Primary input DC 10A.
THERMAL PROPERTY	$\tau : \pm 10\% \text{ max.}$	$-20 \sim 80^\circ \text{C}$ output voltage ratio
PERMISSIBLE UNBALANCE	$V_2 : 10 \text{mV max.}$	$I_1 : 1350 \text{A}$ $R : 500 \Omega$ RMS value when rotate 360°

TEST DIAGRAM

<OUT PUT>



<PERMISSIBLE UNBALANCE>

