
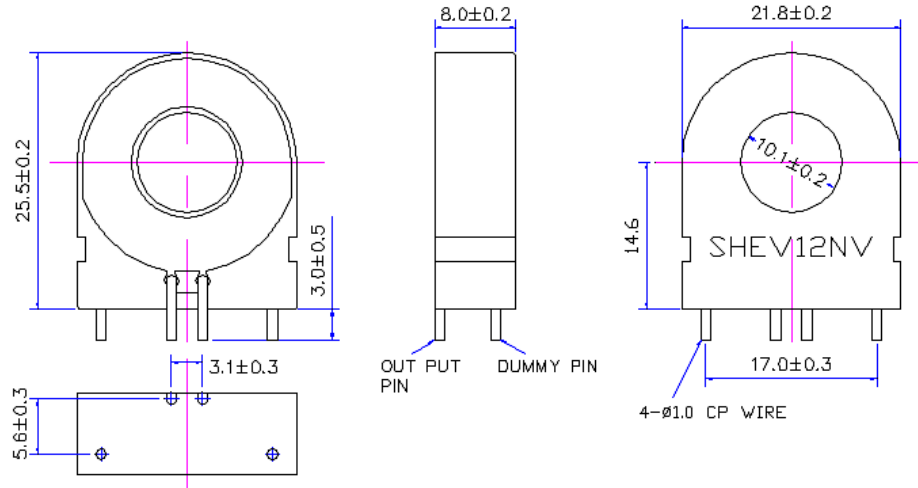


SPECIFICATION

	Zero Phase Current Transformer
	Model No ; SHEV12NV
	Type ; Standard Type

DIMENSION

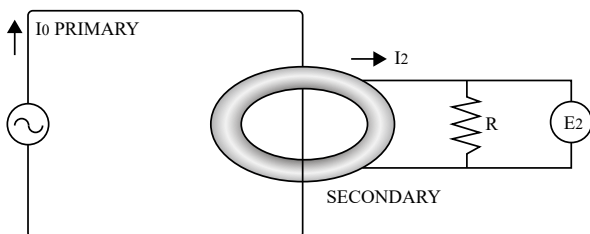


CHARACTERISTICS

ITEM	PROPERTY	CONDITION
OUTPUT	$E_2 : 11.0 \pm 0.5 \text{mV}$	$I_0 : 11.5 \text{mA}$ $R : 1 \text{K}\Omega$ $f : 50/60 \text{Hz}$
REMANENCE MAGNETISM	$\tau : 8\% \text{ max.}$	Primary input DC 10A.
THERMAL PROPERTY	$\tau : \pm 10\% \text{ max.}$	$-30 \sim 80^\circ \text{C}$ output voltage ratio
PERMISSIBLE UNBALANCE	$V_2 : 10 \text{mV max.}$	$I_1 : 180 \text{A}$ $R : 1 \text{K}\Omega$ RMS value when rotate 360°

TEST DIAGRAM

<OUT PUT>



<PERMISSIBLE UNBALANCE>

