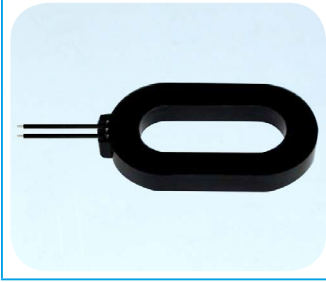


SPECIFICATION

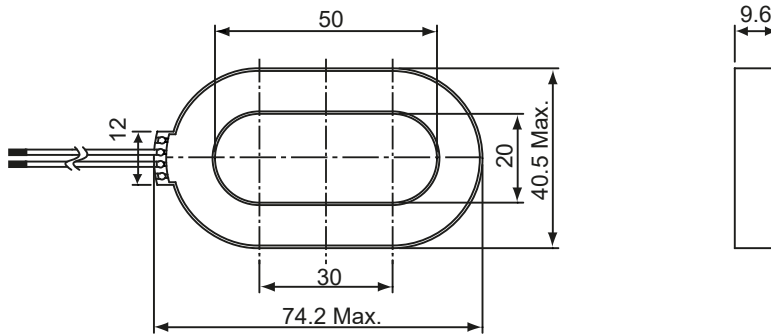


Zero Phase Current Transformer

Model No ; **SH104**

Type ; Standard Type / APPLICATION : 100AF 4POLE ELCB

DIMENSION

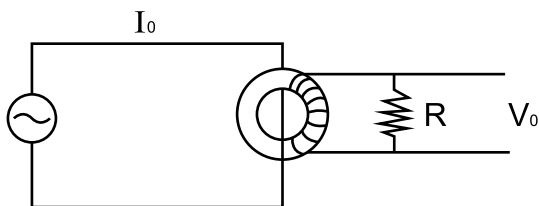


CHARACTERISTICS

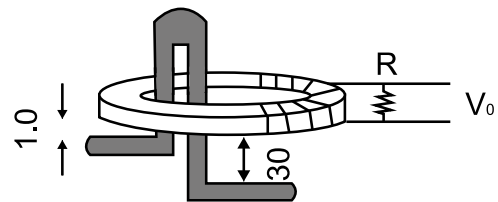
ITEM	PROPERTY	CONDITION
OUTPUT	$V_0 : 18.0\text{mV min.}$	$I_0:25\text{mA}$ $R:1\text{k}\Omega$ $f:60\text{Hz}$
REMANENCE MAGNETISM	$E : 10\% \text{ max.}$	Primary input DC 10A.
THERMAL PROPERTY	$\pm 10\% \text{ max.}$	$-10\sim 80^\circ\text{C}$ output voltage ratio
PERMISSIBLE UNBALANCE	10mV max.	$I_b:600\text{A}$ $R:120\Omega$ right & left movement RMS value

TEST DIAGRAM

<OUT PUT>



<PERMISSIBLE UNBALANCE>



주식회사 성한트랜스텍 34, Yeonseo-ro 9-gil, Eunpyeong-gu, Seoul, Korea
SUNGHAN TRANSTEK CO.,LTD T. 02-352-8414 / E-mail : sunghan@transtek.co.kr