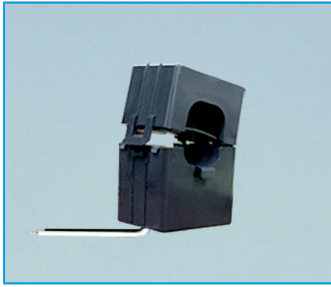


SPECIFICATION



SPLIT TYPE A.C CURRENT TRANSFORMER

Model No ; **SST-16S**

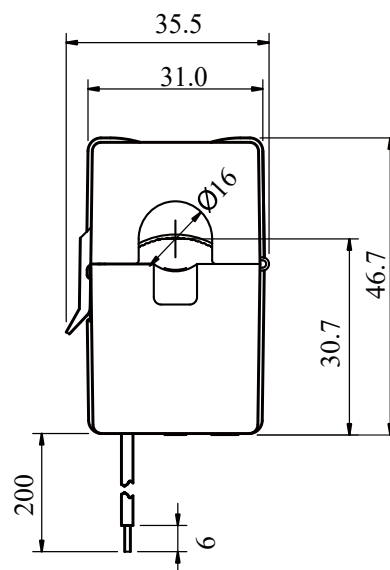
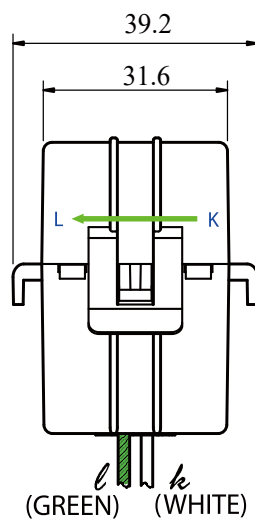
Type ; Split Type

ELECTRICAL PROPERTIES

(at 60Hz, Burden 50Ω以下)

MODEL NO.	SST-16S
Rated Current	0.1A~200A
Max. Current	300A連續
Current Ratio	3,000:1
Standard Accuracy	Class 1%
Linearity Error	$\leq \pm 1\%$
保護素子	內藏
Operating Frequency	50 ~ 20KHz
Operating Temp.	-40°C ~ 85°C
Hi-Potential	A.C 2.2KV, 1分間
難燃Grade & 環境規格	UL94V-0 & RoHS對應

DIMENSION



(Unit : mm)



주식회사 성한트랜스텍
SUNGHAN TRANSTEK CO.,LTD

34, Yeonso-ro-gil, Eunpyeong-gu, Seoul, Korea
T. 02-352-8414 / E-mail : sunghan@transtek.co.kr