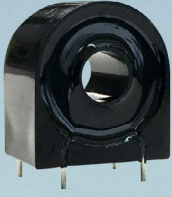


# SPECIFICATION

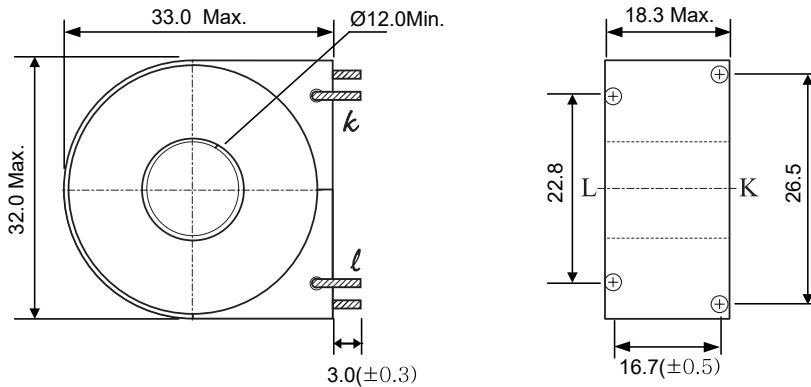


## DC IMMUNE Current Transformer

Model No ; **HDC-3P**

Type ; Standard Type

### DIMENSION

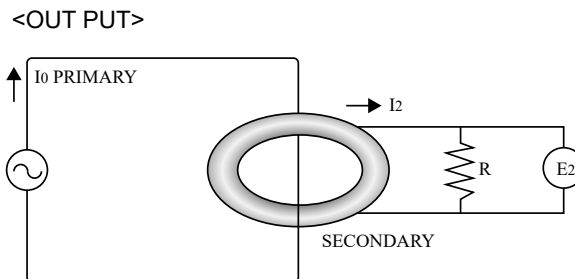


### CHARACTERISTICS

At 50/60hz

ITEM	PROPERTY	CONDITION
CURRENT RATIO	2500:1	
RATED CURRENT	80A / 32mA	at No Load
OUT PUT(E <sub>2</sub> )	320mV	IN PUT 80A, at Load R=10Ω
RATIO ERROR	0.2% max.	PRIMARY RATED'S (100%~3.33%) (A/C Current Range)
PHASE ANGLE ERROR	0.2° max.	PRIMARY RATED'S (100%~3.33%) (A/C Current Range)
DC INPUT PROPERTY	3% max.	ERROR RATIO at an input half wave rectification of primary (rated current/ $\sqrt{2}$ )

### TEST DIAGRAM



주식회사 성한트랜스텍  
SUNGHAN TRANSTEK CO.,LTD

34, Yeonseo-ro-gil, Eunpyeong-gu, Seoul, Korea  
T. 02-352-8414 / E-mail : sunghan@transtek.co.kr