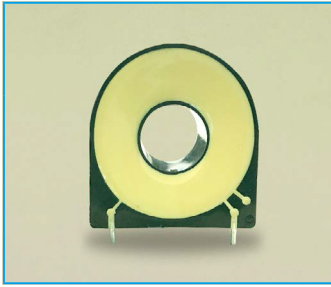


SPECIFICATION

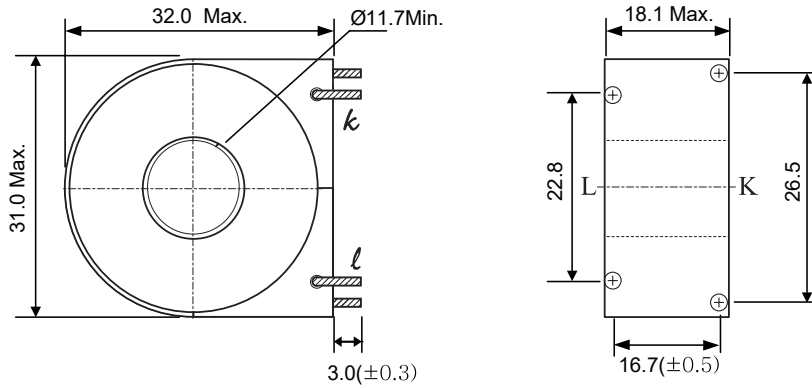


Commercial Grade Current Transformer

Model No ; **T-3P**

Type ; Standard Type

DIMENSION



CHARACTERISTICS

At 50/60Hz, 100Ω

ITEM	PROPERTY	CONDITION
CURRENT RATIO	1000:1	
RATED CURRENT	200A	
RATIO ERROR	±2.0%	1A~200A PRIMARY RATED'S 120%

TEST DIAGRAM

