

SPECIFICATION

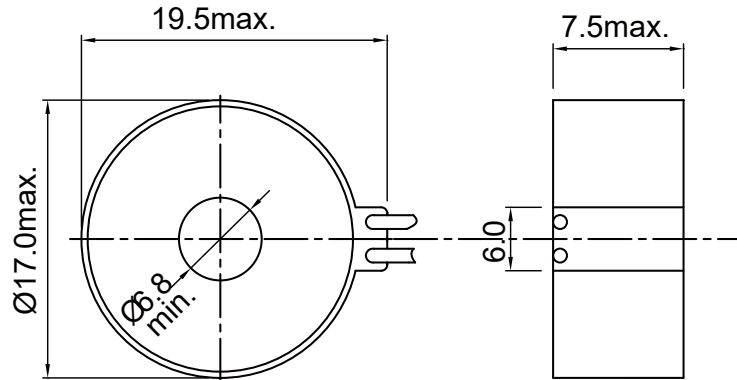


Commercial Grade Current Transformer

Model No ; **SH-7N**

Type ; Standard Type

DIMENSION



CHARACTERISTICS

At 50/60Hz, 100Ω

ITEM	PROPERTY	CONDITION
CURRENT RATIO	1000:1	
RATED CURRENT	5A	
RATIO ERROR	0.5% under	10mA~5A in the range

TEST DIAGRAM

