
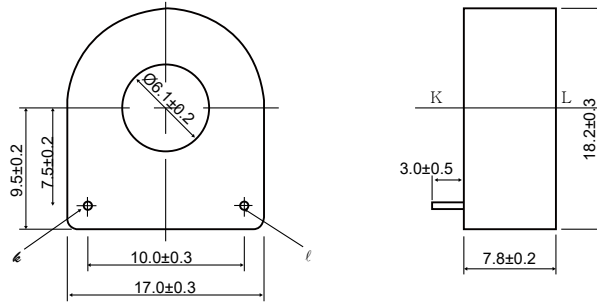


SPECIFICATION

	Accuracy Grade Current Transformer
	Model No ; Hs-1H
	Type ; Standard Type

DIMENSION



ELECTRICAL PROPERTIES

*CURRENT RATIO; 1,300:1

*RATED CURRENT; 0.001A~20A (at Burden R=10Ω under), 50/60Hz

ITEM	PROPERTY	TEST CONDITION
OUTPUT PROPERTY	$E_2 : 99.5\text{mV} \pm 0.5$	$I_1 : 1.3\text{A}$ R:100Ω f:60Hz
RATIO ERROR	$\leq 0.5\%$	I_1 ; at 1A~20A f:60Hz R:10Ω under
THERMAL PROPERTY	(μt): $\leq \pm 0.5\%$ f:50/60Hz R:10Ω	$\mu\text{t} = \left(\frac{E_2(X^\circ\text{C}) - E_2(20^\circ\text{C})}{E_2(20^\circ\text{C})} \right) \times 100$ $E_2(X^\circ\text{C})$: at $-20^\circ\text{C} \sim 70^\circ\text{C}$ output voltage $E_2(20^\circ\text{C})$: 20°C output voltage
OVER CURRENT TEST	THERE WILL NOT HAVE TO BE DAMAGE,	PRIMARY RATED CURRENT X 15, 0.5s
HIGH POT TEST		COIL-PRIMARY, 2KV, 2mA - 1Min.

TEST DIAGRAM

