
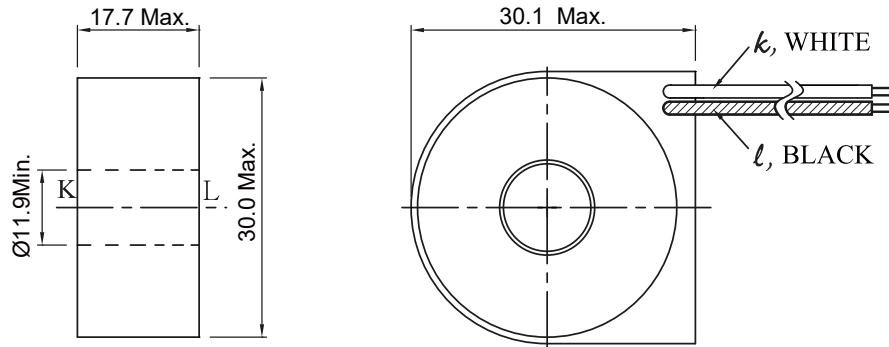


# SPECIFICATION

	<b>Accuracy Grade Current Transformer</b>
	Model No ; <b>H-3W</b>
	Type ; Standard Type

## DIMENSION



## CHARACTERISTICS

ITEM	PROPERTY	CONDITION
CURRENT RATIO	2500:1	
RATED CURRENT	120A / 48mA	at No Load
OUT PUT(E <sub>2</sub> )	480mV	IN PUT 120A, at Load R=10 $\Omega$
RATIO ERROR	0.2% max.	PRIMARY RATED'S (100%~3.33%)
PHASE ANGLE ERROR	0.2° max.	PRIMARY RATED'S (100%~3.33%)

## TEST DIAGRAM

