
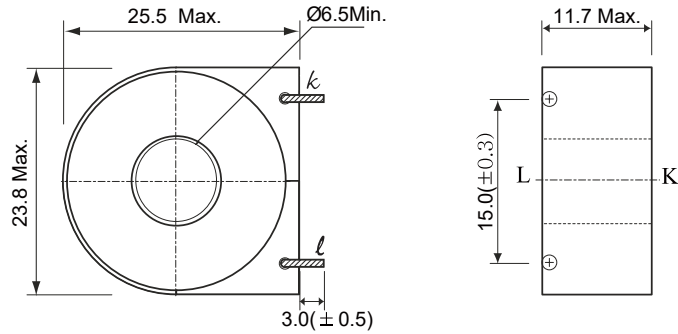


# SPECIFICATION

	<b>Accuracy Grade Current Transformer</b>
	Model No ; <b>H-1V, 2P</b>
	Type ; Standard Type

## DIMENSION



## CHARACTERISTICS

ITEM	PROPERTY	CONDITION
<b>CURRENT RATIO</b>	2500:1	
<b>RATED CURRENT</b>	5A / 2mA	at No Load
<b>OUT PUT(E<sub>2</sub>)</b>	20mV	IN PUT 5A, at Load R=10Ω
<b>RATIO ERROR</b>	0.2% max.	PRIMARY RATED'S (100%~1.67%)
<b>PHASE ANGLE ERROR</b>	0.2° max.	PRIMARY RATED'S (100%~1.67%)

## TEST DIAGRAM

