

SPECIFICATION

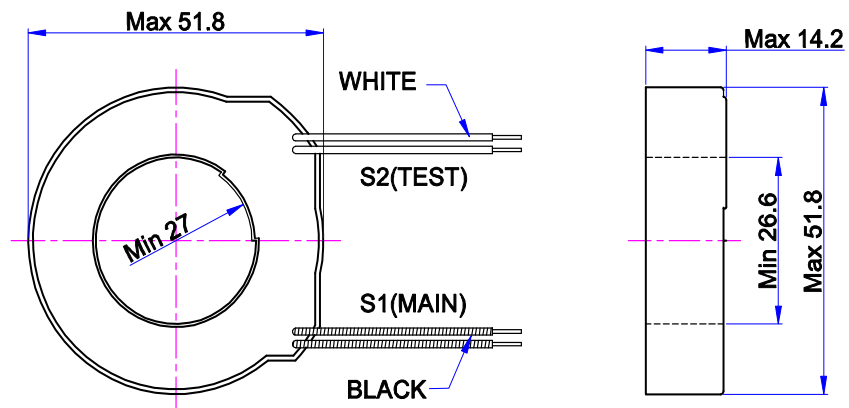


Zero Phase Current Transformer

Model No ; **SH203-4W**

Type ; Standard Type

DIMENSION

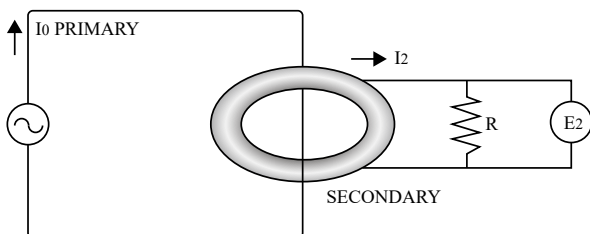


CHARACTERISTICS

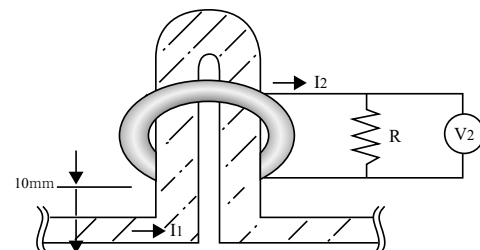
| ITEM | PROPERTY | CONDITION |
|-----------------------|--------------------------------|---|
| OUTPUT | $E_2 : 17 \sim 21 \text{mV}$ | $I_0 : 25 \text{mA}$ $R : 1 \text{k}\Omega$ $f : 60 \text{Hz}$ |
| REMANENCE MAGNETISM | $\tau : 10\% \text{ max.}$ | Primary input DC 10A. |
| THERMAL PROPERTY | $\tau : \pm 10\% \text{ max.}$ | $-20 \sim 80^\circ \text{C}$ output voltage ratio |
| PERMISSIBLE UNBALANCE | $V_2 : 10 \text{mV max.}$ | $I_1 : 1350 \text{A}$ $R : 500 \Omega$ RMS value when rotate 360° |

TEST DIAGRAM

<OUT PUT>



<PERMISSIBLE UNBALANCE>



주식회사 성한트랜스텍 34, Yeonso-ro 9-gil, Eunpyeong-gu, Seoul, Korea
SUNGHAN TRANSTEK CO.,LTD T. 02-352-8414 / E-mail : sunghan@transtek.co.kr