
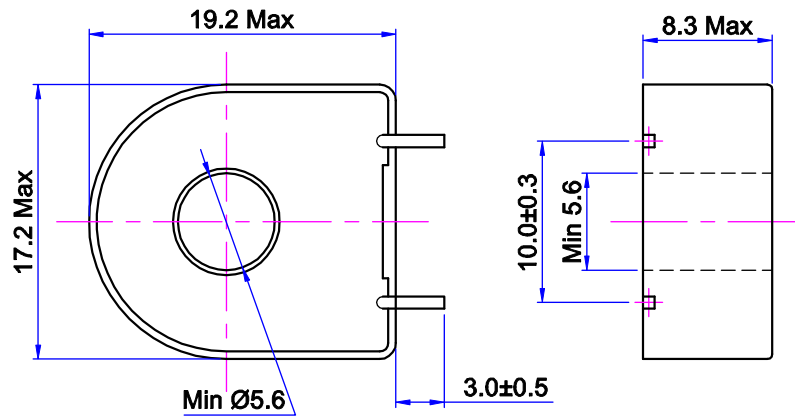


SPECIFICATION

	Zero Phase Current Transformer
	Model No ; SH7NV
	Type ; Standard Type

DIMENSION

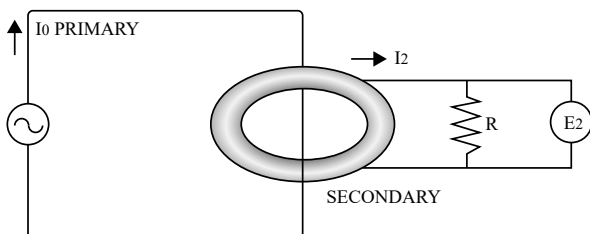


CHARACTERISTICS

ITEM	PROPERTY	CONDITION
OUTPUT	$E : 11.0 \pm 1\text{mV}$	$I_0: 20\text{mA}$ $R: 560\Omega$ $f: 50/60\text{Hz}$
REMANENCE MAGNETISM	$\tau : 10\% \text{ max.}$	Primary input DC 10A.
THERMAL PROPERTY	$\tau : \pm 10\% \text{ max.}$	$-20 \sim 80^\circ\text{C}$ output voltage ratio
PERMISSIBLE UNBALANCE	$V_2 : 10\text{mV} \text{ max.}$	$I_1: 180\text{A}$ $R: 1\text{k}\Omega$ RMS value when rotate 360°

TEST DIAGRAM

<OUT PUT>



<PERMISSIBLE UNBALANCE>

