

SPECIFICATION

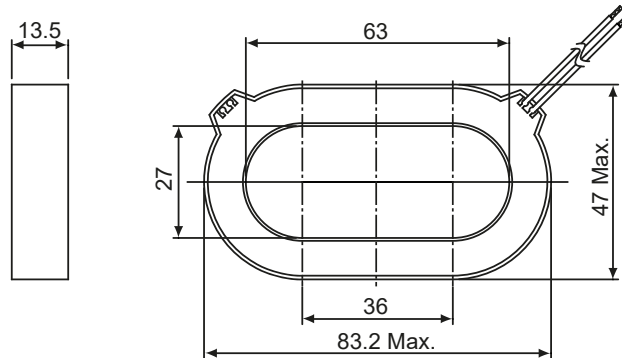


Zero Phase Current Transformer

Model No ; **SH204**

Type ; Standard Type / APPLICATION : 225AF 4POLE ELCB

DIMENSION

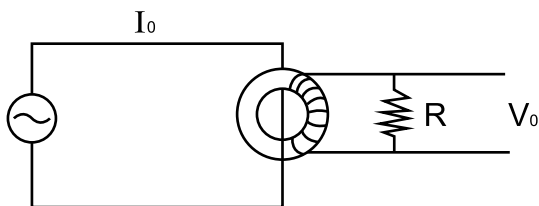


CHARACTERISTICS

ITEM	PROPERTY	CONDITION
OUTPUT	$V_0 : 18.0\text{mV min.}$	$I_0:25\text{mA}$ $R:1\text{k}\Omega$ $f:60\text{Hz}$
REMANENCE MAGNETISM	$E : 10\% \text{ max.}$	Primary input DC 10A.
THERMAL PROPERTY	$\pm 10\% \text{ max.}$	$-10\sim 80^\circ\text{C}$ output voltage ratio
PERMISSIBLE UNBALANCE	10mV max.	$I_b:1350\text{A}$ $R:120\Omega$ right & left movement RMS value

TEST DIAGRAM

<OUT PUT>



<PERMISSIBLE UNBALANCE>

